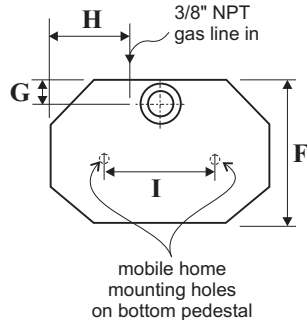
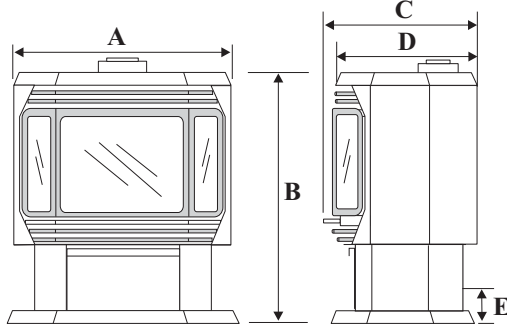


U39 Top Vent Freestanding Direct Vent Gas Stove

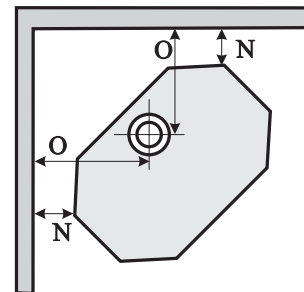
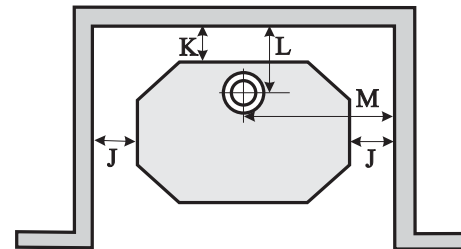
Model	U39-NG1	U39-LP1
Fuel Type	Natural Gas	Propane
Minimum Supply Pressure	5" W.C. (1.25 kPa)	12" W.C. (3.00 kPa)
Manifold Pressure - High	3.8" W.C. (0.94 kPa)	11" W.C. (2.74 kPa)
Manifold Pressure - Low	1.1" W.C. (0.27 kPa)	2.9" W.C. (0.72 kPa)
Orifice Size Altitude 0-2000ft (0-610m)	#31	#50
Orifice Size Altitude 2000-4500ft (610-1370m)	#33	
Orifice Size 30,000 Max BTU	#37	#52
Minimum Input Altitude 0-2000ft (0-610m)	20,000 BTU/h	20,000 BTU/h
Minimum Input Altitude 2000-4500ft (610-1370m)	19,000 BTU/h	
Minimum Input converted to 30,000 Max BTU	15,000 BTU/h	15,000 BTU/h
Maximum Input Altitude 0-2000ft (0-610m)	38,000 BTU/h	38,000 BTU/h
Maximum Input Altitude 2000-4500ft (610-1370m)	36,100 BTU/h	
Maximum Input converted to 30,000 Max BTU	30,000 BTU/h	30,000 BTU/h
Vent Sizing	4" Inner / 6-5/8" Outer	4" Inner / 6-5/8" Outer

Approved Venting Systems

Flex Vent Systems:	FPI AstroCap™ Flex Vent
Rigid Pipe Vent Systems:	Simpson Dura-Vent® Direct Vent GS American Metal Products AmeriVent Security Secure Vent® Selkirk Direct-Temp.



Dimension	Description	U39
A	Top Width	26" (660mm)
B	Unit Height	30" (762mm)
C	Top Depth (back to front face)	17-5/8" (448mm)
D	Top Depth	17" (432mm)
E	Height; Base to Gas Line	3-1/2" (89mm)
F	Base Depth	17" (432mm)
G	Depth; Flue-Centerline to Back	3-1/2" (89mm)
H	Width; Side of unit to Gas Line	10-3/4" (273mm)
I	Width - Mobile Home Mounting	13" (330mm)



Alcove clearances		
Dimension	Description	U38
J	Side Wall to Unit	7-1/2" (190mm)
K	Back Wall to Unit	6" (155mm)
L	Back Wall to vent centerline	11" (280mm)
M	Side Wall to Vent Centerline	20-1/2" (521mm)

Corner Clearances		
Dimension	Description	U38
N	Wall to Unit corner	2" (50mm)
O	Wall to vent centerline	11" (280mm)

Minimum ceiling height is 36" (914mm) from top of unit.

Minimum clearance to vent is 1-1/4" (32mm).

The above listed clearances are minimum distances to combustible materials. When installing on carpet or vinyl flooring the bottom pedestal cover plate must be installed.

U39 Gas Stove

Regency Direct Vent System Horizontal Terminations Only

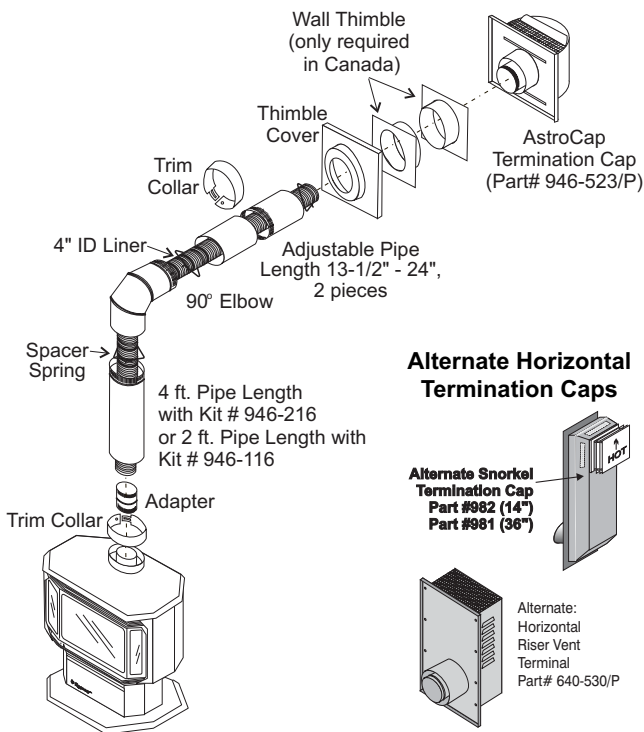
These venting systems, in combination with the **U39** Direct Vent Gas Fireplace, have been tested and listed as a direct vent heater system by Warnock Hersey. The location of the termination cap must conform to the requirements in the Vent Terminal Locations diagram.

FPI Horizontal Termination Kit includes all the necessary parts needed to install the U39.

FPI Kit #	Length	Contains:
#946-116	2 Feet	<ol style="list-style-type: none"> 1) 6-5/8" Rigid Pipe Section (Kit length) 2) 4" flexible liner (Kit length) 3) spring spacers (4) 4) 90° Elbow 5) Adjustable pipe section 13-1/2" to 24" 6) thimble cover (1) 7) thimble (1) 8) adapter 9) AstroCap termination cap (1)
#946-216	4 Feet	<ol style="list-style-type: none"> 10) trim collar (2) 11) tube of Mill Pac (1) 12) S.S. screws #8 x 1-1/2", self-tap, (12) 13) Blk. screws #8 x 1-1/2", self-tap, (14) 14) Blk. screws #8 x 1-1/2" drill point, (4) 15) S.S. screws #8 x 1-1/2" drill point, (4) 16) Wood screws #8 x 1" (8) 17) vinyl siding standoff (optional #946-206)

Notes:

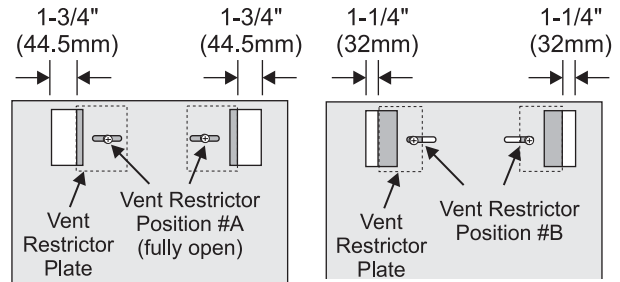
- 1) Liner sections should be continuous without any joints or seams.
- 2) Only Flex pipe purchased from Regency may be used for Flex installations.
- 3) Horizontal sections must be supported every 3 feet.



If required by the external termination location the listed alternate termination caps may be used. (Refer to Page 11)

Vent Restrictor Position

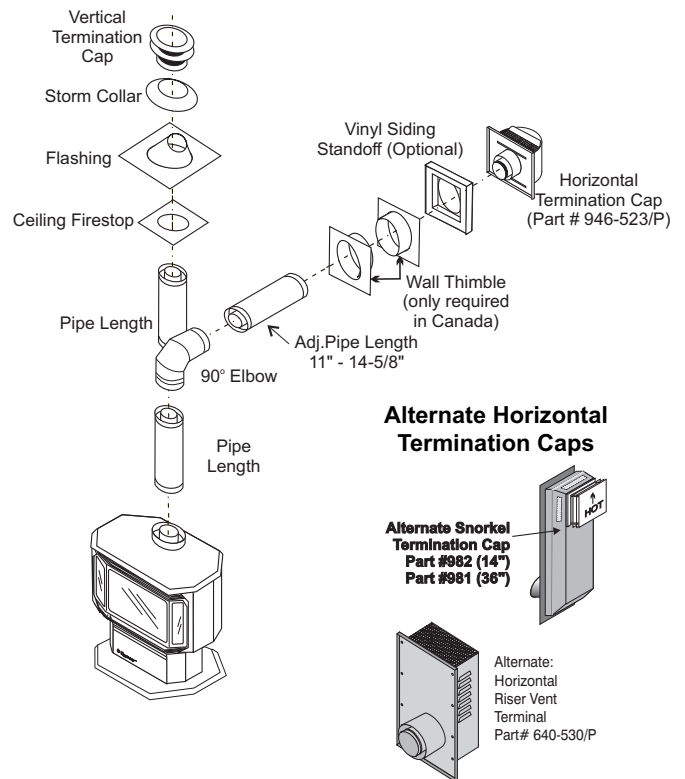
To set the Vent restriction as indicated in the diagram, simply loosen the screws and push the vent restrictor plate to the correct position. Tighten the screws.



Vent Restrictor setting at 38,000 Btu/h

Vent Restrictor setting at 30,000 Btu/h

Rigid Pipe Venting Systems Horizontal or Vertical Terminations

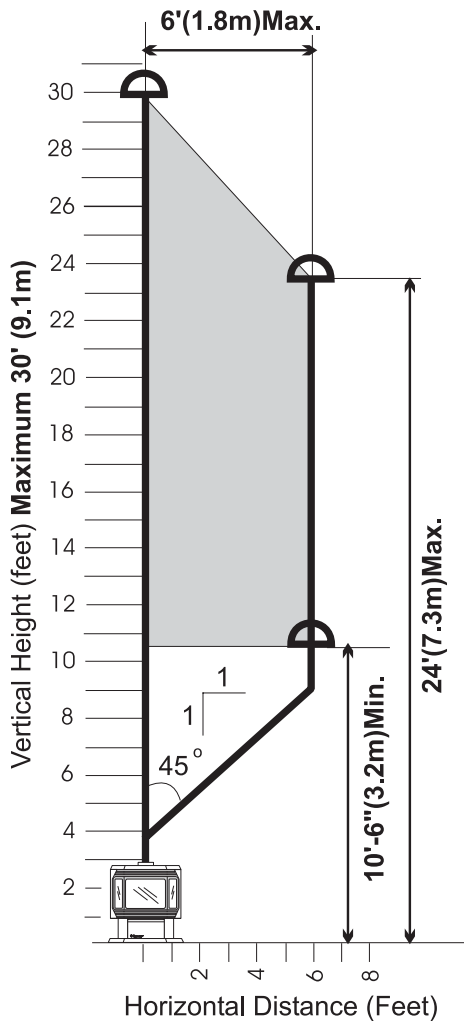


Vertical Terminations using Rigid Pipe Systems

The shaded area in the diagram below shows all allowable combinations of straight vertical and offset to vertical runs with vertical terminations. Maximum two 45° elbows.

If the vent is ENCLOSED in a chase (min. size 9" x 9") maintain a 1-1/4" clearance to combustibles.

May be installed in Manufactured (Mobile) Homes after first sale.

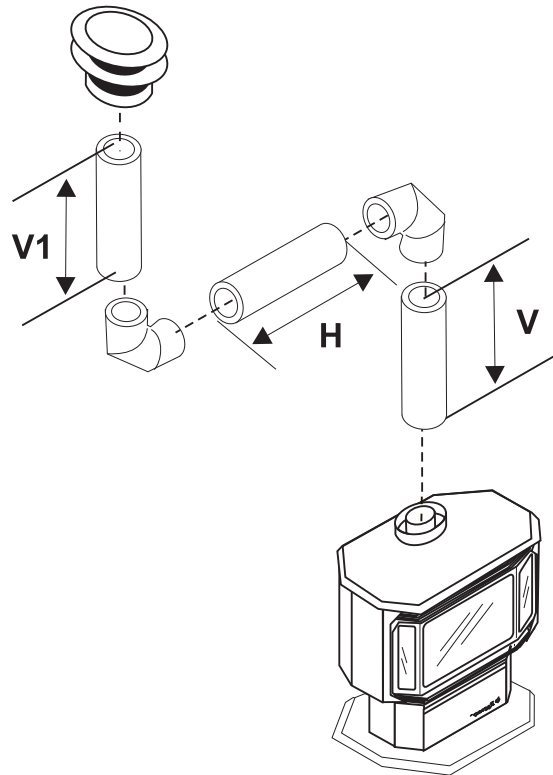


Vertical Venting with Two (2) 90° Elbows

Two 45° elbows = One 90° elbow

Option	V	H	V+ V1	Maximum total pipe length, of all sections, must not exceed 30 feet.
A)	1' Min.	1' Max.	2' Min.	Total horizontal sections must not exceed 4 feet. Minimum of 1 foot between 90° elbows is required.
B)	1' Min.	2' Max.	3' Min.	
C)	2' Min.	3' Max.	4' Min.	
D)	2' Min.	4' Max.	4' Min.	

Vent Restrictor in position "A" (Center), refer to page 124.



U39 Gas Stove

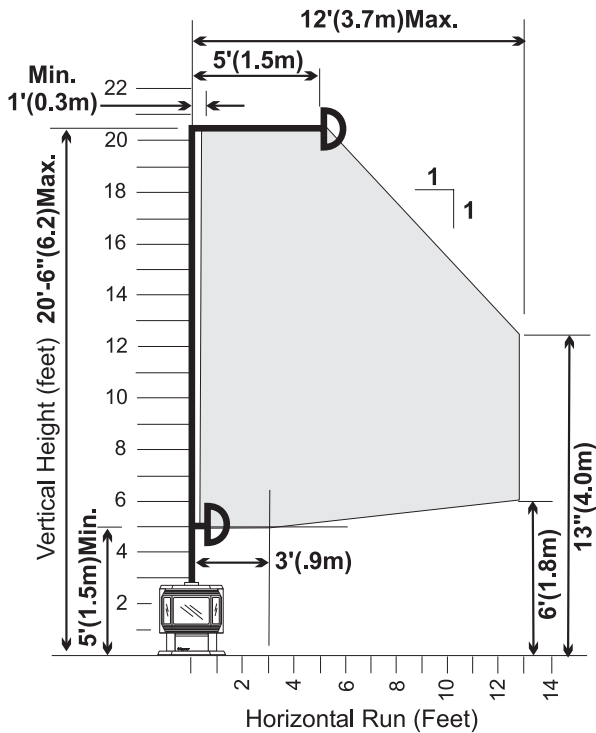
Horizontal Terminations for All Venting Systems

The shaded areas in the diagram below show all allowable combinations of vertical runs with horizontal terminations. Maximum one 90° elbow (two 45° elbows equal one 90° elbow).

Propane and Natural Gas: Residential, Manufactured and Mobile Homes Installations

The venting arrangements diagrammed below, have a min. of 75% (flue loss) efficiency with Fan Off, as required for manufactured homes. (Actual efficiency may be as high as 85%)

May be installed in Manufactured (Mobile) Homes after first sale.



Horizontal Venting with Two (2) 90° Elbows

Two 45° elbows = One 90° elbow

Option	V	H + H1	Maximum total pipe length, of all sections, must not exceed 30 feet. Total horizontal sections must not exceed 4 feet. Minimum of 1 foot between 90° elbows is required.
A)	3' Min.	2' Max.	
B)	5' Min.	3' Max.	
C)	8' Min.	4' Max.	

Vent Restrictor in position "A" (Center), refer to page 124.

