



Trimont

See-Thru Gas Fireplace



*Shown w/rectangular Prairie
pattern full door face*

Warmth, coziness, style and quality. . .
From our family to yours.

Designer Options & Accessories

Doors/Full Door Faces



Shown standard as see-thru



Drake pattern full door face



Mission design full door face



Rectangular Prairie pattern full door face



Arched Prairie pattern full door face



Arched Drake pattern full door face



Mission bifold full door face



'True Arch' Mission full door face



Full screen face



Mission design doors antique copper



Mission design doors brushed nickel

The above black door finishes are lightened in this literature to show distinct details of each face

Controls



Wall mount thermostat



Wireless wall mount thermostat



Wireless wall switch



Remote control



Kozy kontrol

Refractories



Brick refractory



Red brick refractory (optional)

Door Finishes



Titanium finish



Rust finish



Shown standard design pier end



Shown w/Mission design doors and pier end



Shown w/Mission bifold full door face

Trimont See-Through Direct Vent

Quality Fireplaces for Life

(This model can be converted to a 3-sided pier with installation of an optional pier conversion kit)

Zone Heat

Install a Kozy Heat furnace rated, high efficient fireplace and save money - lower your fuel bill when you turn your furnace down and heat only the room(s) where you'll be spending time in.

Standard Features:

- 47,000 BTU/hr input - NG & 46,000 BTU/hr input - LP
- High efficiency: NG - 72% LP - 77%
- Canada P-4 Approved
- Remote modulating valve system with flame & fan adjustment: fan kit & remote control included - Kozy kontrol (#TMT-3875-RF only)
- High quality, quick-latch, lifetime borofloat® glass (2) 34 3/4" x 26"
- Refractory brick lining (ends & bottom)
- High-low regulator (#TMT-3875 only)
- Speed control with receptacle assembly (#TMT-3875 only)
- Patented log design
- Seasonal heat damper
- Minnesota energy code compliant to 50 pascals

Optional Features:

- See page two for full door face design options - for use on see-through applications only
- Full screen face
- Mission design doors (also available in antique copper & brushed nickel) *Fronts, Door Faces & Doors are available in Black, Rust or Titanium finish*
- Pier conversion kits - (standard & Mission design)
- Automatic fan kit (1) 75 CFM (#TMT-3875 Only - standard on RF models)
- Red brick refractory
- Remote control or thermostat remote control (#TMT-3875 Only)
- Wall thermostat/wireless wall mount thermostat (#TMT-3875 only)

Safety:

- **EACH UNIT FACTORY TESTED!**
- Tested by OMNI-Test Laboratories complies with ANSI Z21.88a-2007•CSA 2.33a-2007 'Vented Gas Fireplace Heaters'
- U.S. & Canadian Installation Approved
- Sealed combustion chamber with standing pilot ignition
- Removable millivolt board with 30-second safety pilot
- Requires NO ELECTRICITY to operate - excluding fan
- Automatic pressure relief glass system
- Bedroom & mobile home approved

NOTE: Refer to the Trimont installation manual for complete installation & venting requirements.

Specifications:

- Height - 34 1/2"
- Depth - 24"
- Width - 38 3/4"
- Weight - 220 lbs.

Framing Dimensions:

- | | |
|---|-------------------|
| See-Thru: | Pier: |
| • Height - 46" | • Height - 46" |
| • Width - 42 1/4" | • Width - 40 1/2" |
| <u>Finished</u> Wall depth - 24" | |

Clearances:

- From face top 11 1/2"
 - From vented/non-vented ends 1 3/4"
 - Side of fireplace to adjacent side wall 1 3/4"
 - Full door face sides (decorative option) 1/4"
 - To flooring. 0"
 - Unit floor to ceiling 68"
 - Mantel 12" deep from top of unit* 12"
- *Please refer to **Mantel Requirements** in the installation manual

Venting Requirements:

Rigid 5" x 8" Dura-Vent®, AmeriVent®, Selkirk Metalbestos®, Metal-Fab and the Kozy Heat #800 series flexible vent systems are approved for this fireplace

IMPORTANT: Kozy Heat part #800-WPT, must be used on All horizontal vent runs

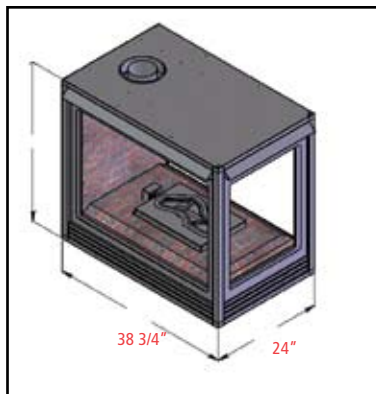
Horizontal Terminations:

- Minimum: NG - 90° elbow + 6"+ termination cap
LP - 6" + 90° elbow + 6"+ termination cap
- Maximum: NG - 90° elbow + max. 10' run
LP - 6" + 90° elbow + max. 10' run

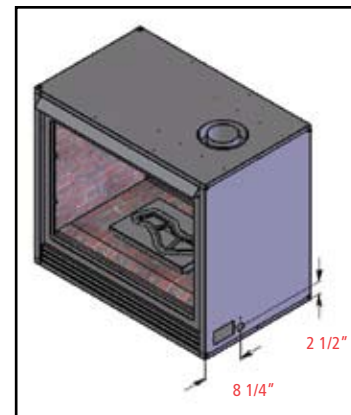
Vertical Terminations:

- Minimum: 4' = AmeriVent®, Selkirk Metalbestos® and Metal-Fab
 - Minimum: 8' = Dura-Vent® • Maximum: 35'
- Note:** A restrictor is required for all vertical venting applications

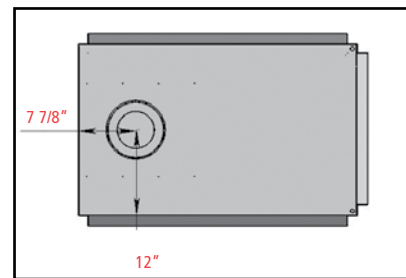
Horizontal & vertical combo: 30' = 10' max. horizontal 20' max. vertical



Pier model



See-Through



Manufactured by Hussong Mfg. Co. Inc.
204 Industrial Park Drive, Lakefield, MN 56150
Phone 1-800-253-4904 www.kozyheat.com

In order to continually provide the highest quality product available, specifications and dimensions are subject to change. Refer to the unit installation manual for complete installation instructions. Installation must conform with local building codes.
2-10

For complete information and installation instructions, contact your Kozy Heat Dealer at: