



*Princeton IPI shown w/backlight & flame*

Warmth, coziness, style and quality. . .  
*From our family to yours.*

# Designer Options & Accessories

Doors/Full Door Faces



Shown standard



Drake pattern full door face



Mission design full door face



Rectangular Prairie pattern full door face



Arched Prairie pattern full door face



Arched Drake pattern full door face



Mission bifold full door face



'True Arch' Mission full door face



Full screen face



Mission design doors antique copper



Mission design doors brushed nickel

Also available in black

*The above black door finishes are lightened in this literature to show distinct details of each face*

Controls



Wall mount thermostat



Wireless wall mount thermostat



Wireless wall switch



Remote control



IPI full function remote



Kozy kontrol

Refractories



Brick refractory



Red brick refractory

Door Finishes



Titanium finish



Rust finish



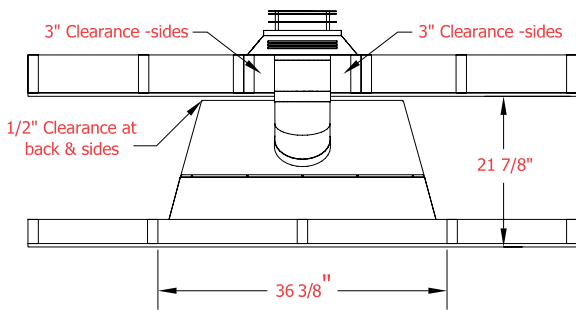
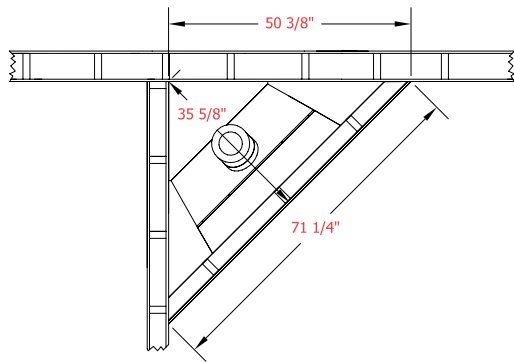
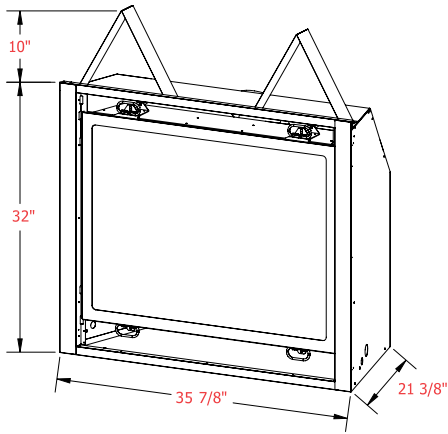
*Shown w/Drake pattern full door face*



*Shown w/Mission design doors*



*Shown w/Arched Prairie pattern full door face in a Craftsman wall cabinet with 6" hearth extension*



**Zone Heat**

Install a Kozy Heat furnace rated, high efficient fireplace and save money - lower your fuel bill when you turn your furnace down and heat only the room(s) where you'll be spending time in.

**Standard Features**

- 35,000 BTU/hr input-NG & 34,800 BTU/hr input - LP
- High efficiency: NG - 80% LP Gas - 81% (steady state efficiency at high burn, In-House testing)
- Canadian P-4 approved
- High quality lifetime warranty glass (23 3/4" x 30 1/16")
- Quick-latch glass/Pressure release system
- Accepts rigid DV vent systems or Kozy Heat #800 series flexible termination kits
- Engineer-designed burner system w/external adjustable venturi
- Model PRC-36-RF only - modulating valve system w/fan and flame adjustment, remote control included (Kozy control)
- Model PRC-36-IPI only (electronic ignition) - remote modulating valve system w/flame & fan adjustment: fan kit and backlight kit included
- Patented log design
- Refractory brick lining
- Heat damper control
- Upper grill/hood & lower grill (black)
- Minnesota Energy Code compliant to 50 pascals

**Optional Features**

- See page two for full door face design options (available in black, rust or titanium finish)
- Mission design doors available in black, antique copper & brushed nickel
- Full screen face
- Backlight kit
- Model PRC-36 only: automatic fan kit w/variable speed control (2-75 CFM)
- Model PRC-36 only: remote control or thermostatic remote control
- Wall mount thermostat / wireless wall mount - Model PRC-36 only
- Red brick refractory
- Wall, corner cabinets and flush surrounds - refer to the cabinetry brochure

**Safety**

- Each unit factory tested!
- Tested by OMNI-Test Laboratories
- Complies with ANSI Z21.88a-2007•CSA 2.33a-2007 'Vented Gas Fireplace Heaters'
- Sealed combustion chamber with standing pilot ignition
- Removable millivolt board with 30-second safety pilot
- Requires NO ELECTRICITY to operate - excluding fan
- Automatic pressure relief glass system
- Bedroom and mobile home approved

**Specifications**

- Height - 32"
- Width - 35 7/8"
- Back Width - 24 5/8"
- Depth - 21 3/8"
- Weight - 160 lbs.

**Framing Dimensions**

- Height - 42"
- Width - 36 3/8"
- Depth - 21 7/8" horizontal terminations  
23 7/8" vertical terminations

**Clearances**

- Top of unit face to framing - 10"
- From unit left & right sides & back - 1/2"
- Surround sides (flush) - 1/4"
- To flooring - 0"
- Unit top to ceiling - 31"
- From the unit's side to adjacent sidewall - 10"
- Fireplace front - 36"
- Mantel 10" deep from top of unit - 15"

\*Please refer to mantel projection chart in the installation manual

For complete information and installation instructions, contact your Kozy Heat Dealer at:



Manufactured by Hussong Mfg. Co. Inc.  
204 Industrial Park Drive, Lakefield, MN 56150  
Phone 1-800-253-4904 www.kozyheat.com

In order to continually provide the highest quality product available, specifications and dimensions are subject to change. Refer to the unit installation manual for complete installation instructions. Installation must conform with local building codes.